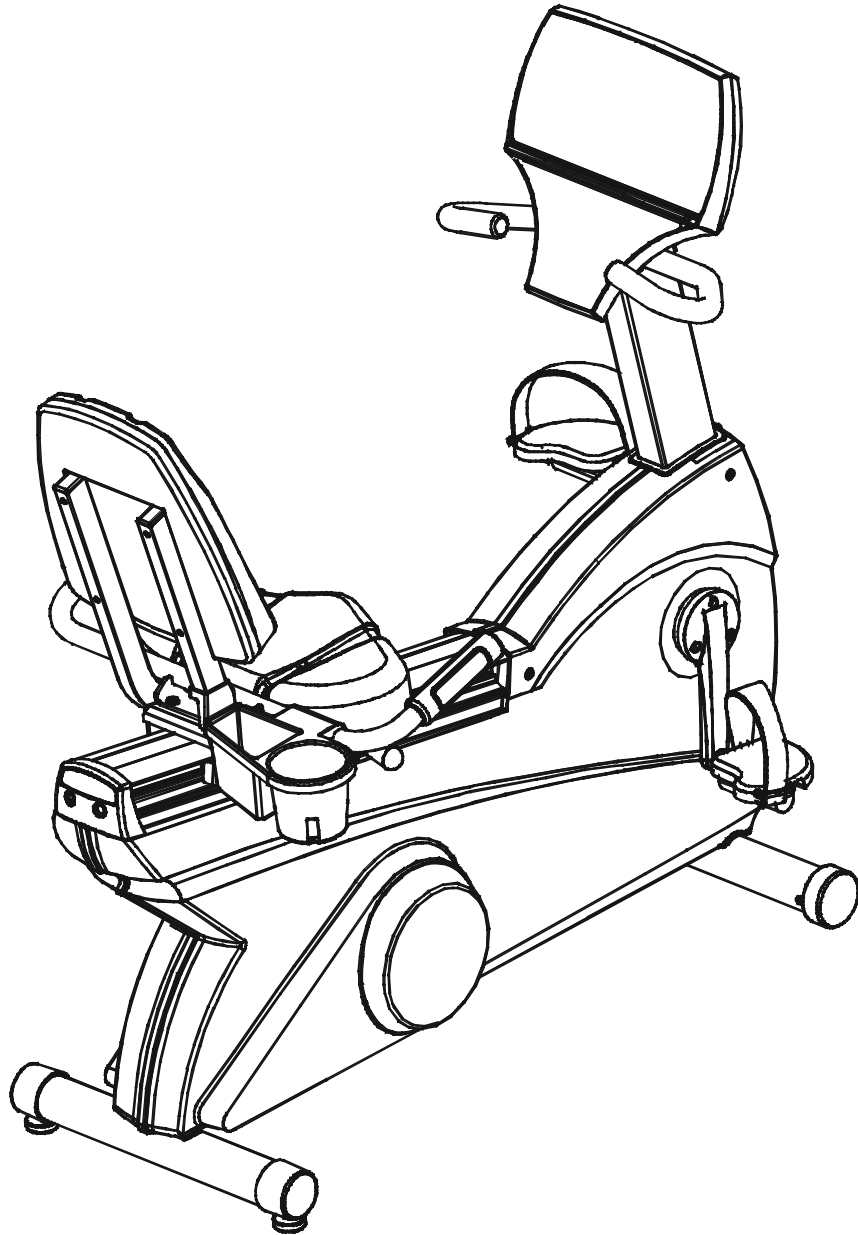


LifeFitness

Arctic Silver 95RW Recumbent Bike



Customer Support Services
PARTS MANUAL rev 11 Jul 2008

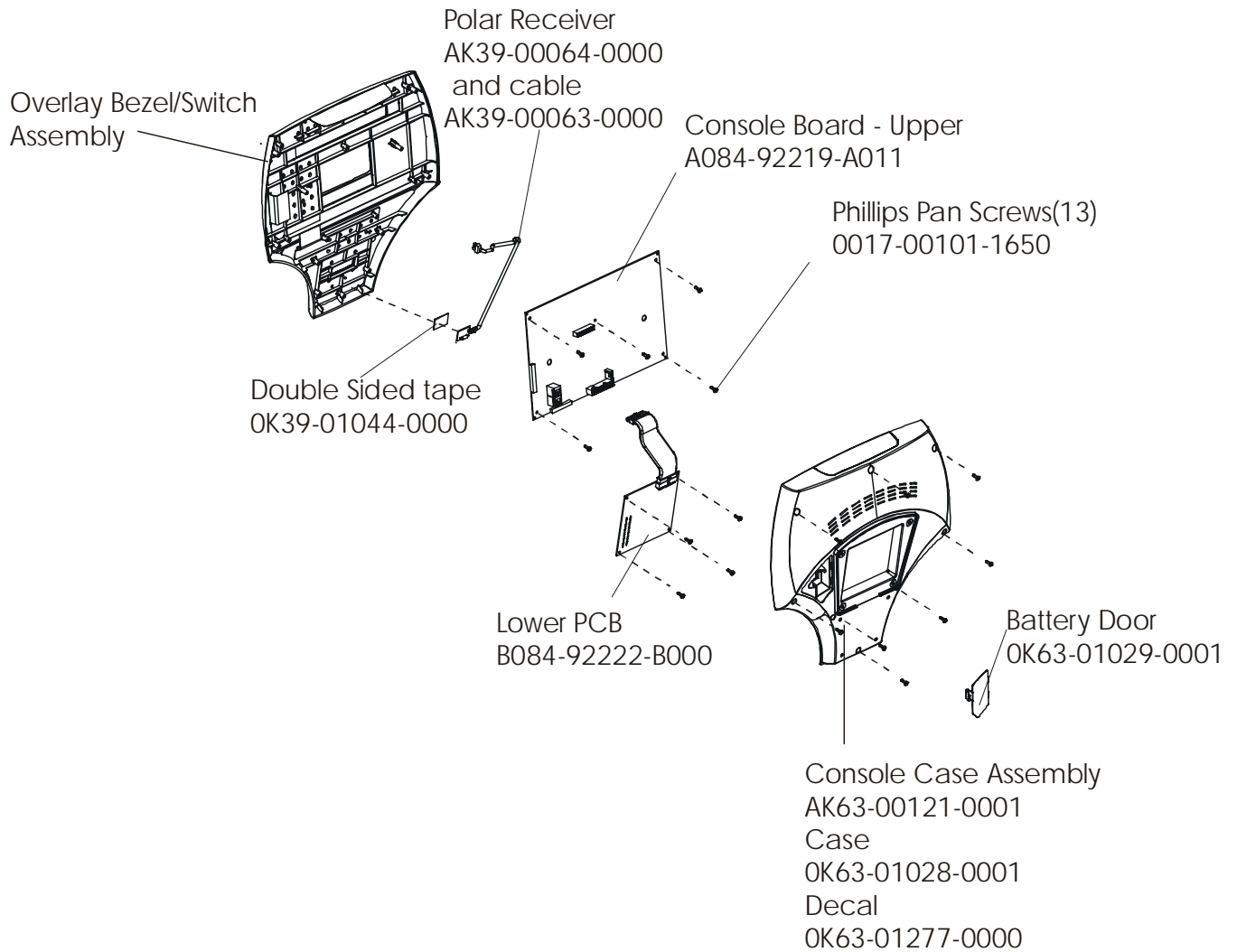
POWER OPTION KIT 120V	GK39-00002-0002
POWER OPTION KIT 240/50 UK	GK39-00002-0004
POWER OPTION KIT 240V AUSTRALIA	GK39-00002-0005
POWER OPTION KIT 230/50 CON	GK39-00002-0006
OPERATION MANUAL	M051-00K39-A016
ER READY BRACKET ASSEMBLY ASSEMBLY CONSISTS OF: 1) POWER CABLE 2) CABLE INPUT BRACKET 3) F TYPE CONNECTOR 4) COAX CABLE	AK39-00093-0000 AK32-00078-0001 OK39-01087-0000 0017-00021-2846 AK32-00020-0001
HARDWARE BAG	GK39-00002-0008
TOUCH UP PAINT: SPRAY CAN .5 OZ BOTTLE W/APPLICATOR .33 OZ PEN	0017-00008-0204 0017-00008-0205 0017-00008-0206
SERVICE MANUAL	M051-00K39-A012

**NOTE: ADDING THE BOLT ON LCD SCREEN TO THE
95RW-0XXX-02 MAKES THE UNIT A 95RER-0XXX-02.**

	Page
CONSOLE COMPONENTS	4
CONSOLE SUPPORT ASSEMBLY	5
SHROUDS, END CAP, CRANKARMS AND PEDALS	6
BELTS AND 6V BATTERY	7
RESISTOR ASSEMBLY	8
POWER CONTROL BOARD	9
ALTERNATOR W/PULLEY	10
CRANKSHAFT AND BEARING ASSEMBLY	11
INTERMEDIATE SHAFT AND BEARING ASSEMBLY	12
IDLER BRACKET ASSEMBLY	13
SEAT ASSEMBLY	14
SEAT BOTTOM ASSEMBLY	15
SEAT FRAME ASSEMBLY	16
SEAT PADS AND ACCESSORY TRAY	17
EXTRUSION ASSEMBLY	18
SEAT LOCKING ASSEMBLY	19
WHEEL AND LEVELER	20
CABLES	21

ARCTIC SILVER 95RW
Console Components

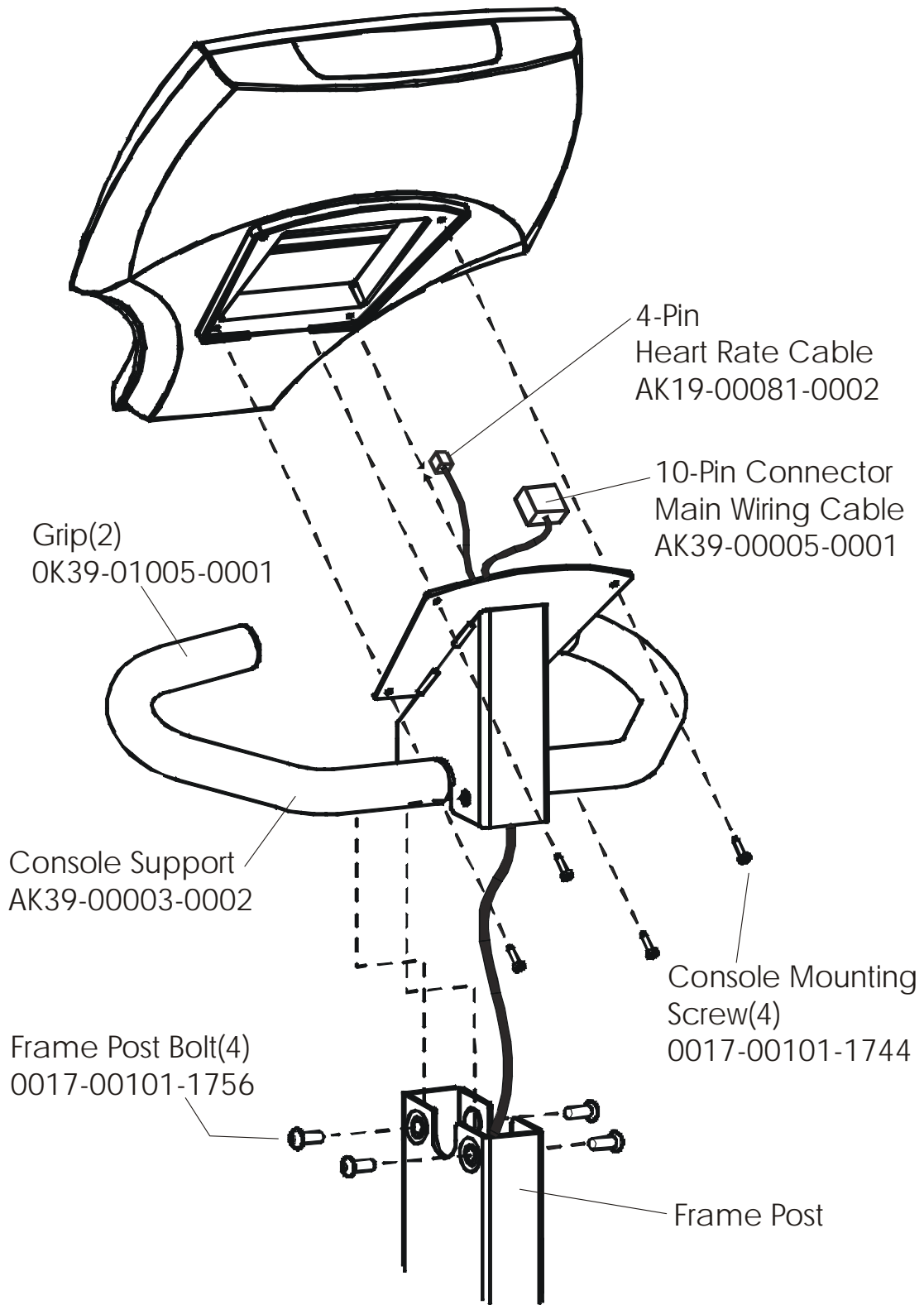
95RW-0XXX-02
S/N CCW100000 and UP



Console Assembly	Overlay/Bezel/Switch Assy.
AK39-00070-0001 Eng Met	AK63-00165-0001 Eng Met
AK39-00070-0003 Ger Met	AK63-00165-0003 Ger Met
AK39-00070-0004 Spn Met	AK63-00165-0004 Spn Met
AK39-00070-0006 Jap Met	AK63-00165-0006 Jap Met
AK39-00070-0007 Frn Met	AK63-00165-0007 Frn Met
AK39-00070-0008 Itl Met	AK63-00165-0008 Itl Met
AK39-00070-0009 Dut Met	AK63-00165-0009 Dut Met
AK39-00070-0010 Por Met	AK63-00165-0010 Por Met

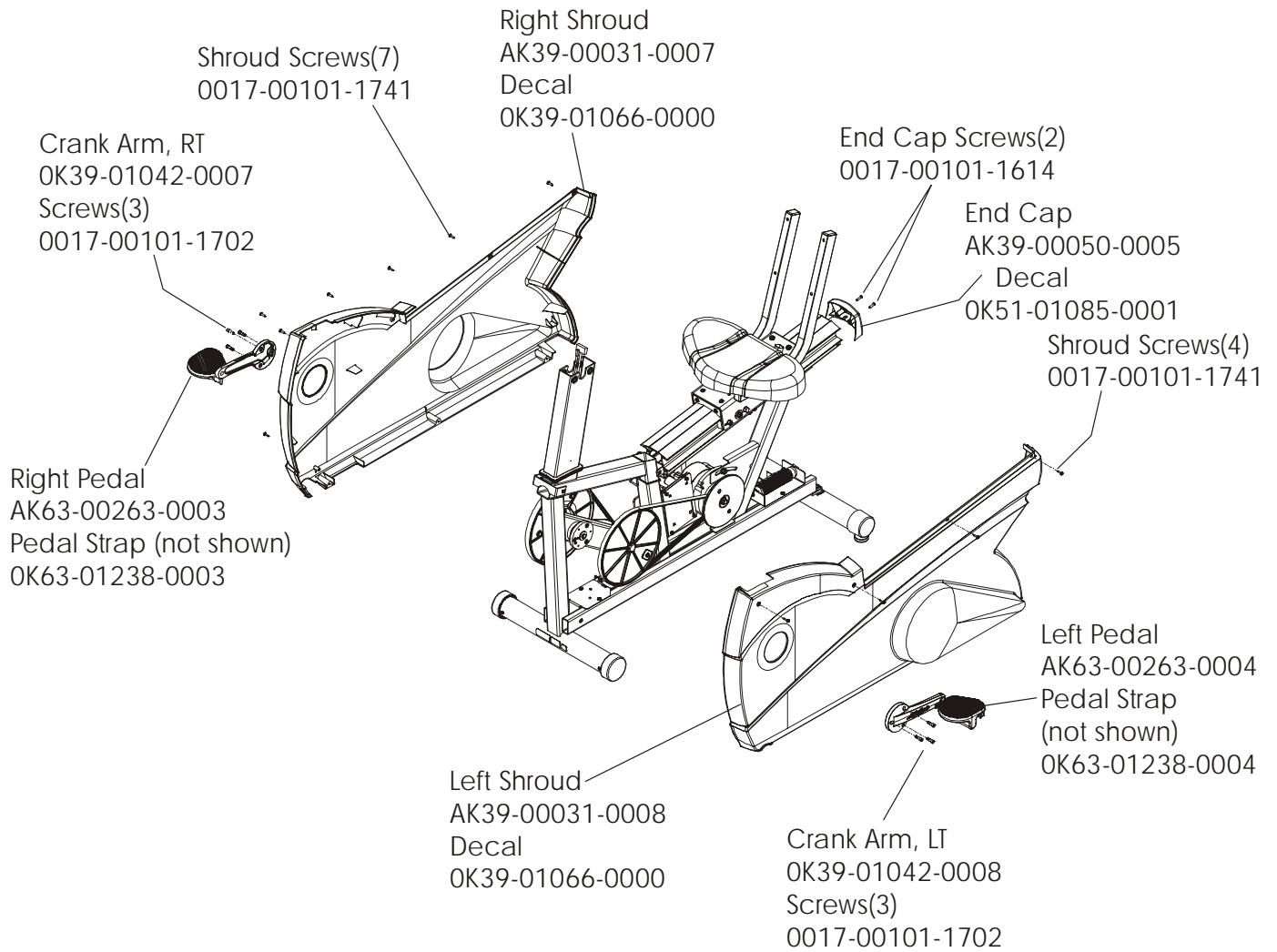
ARCTIC SILVER 95RW
Console Support Assembly

95RW-0XXX-02
S/N CCW100000 and UP



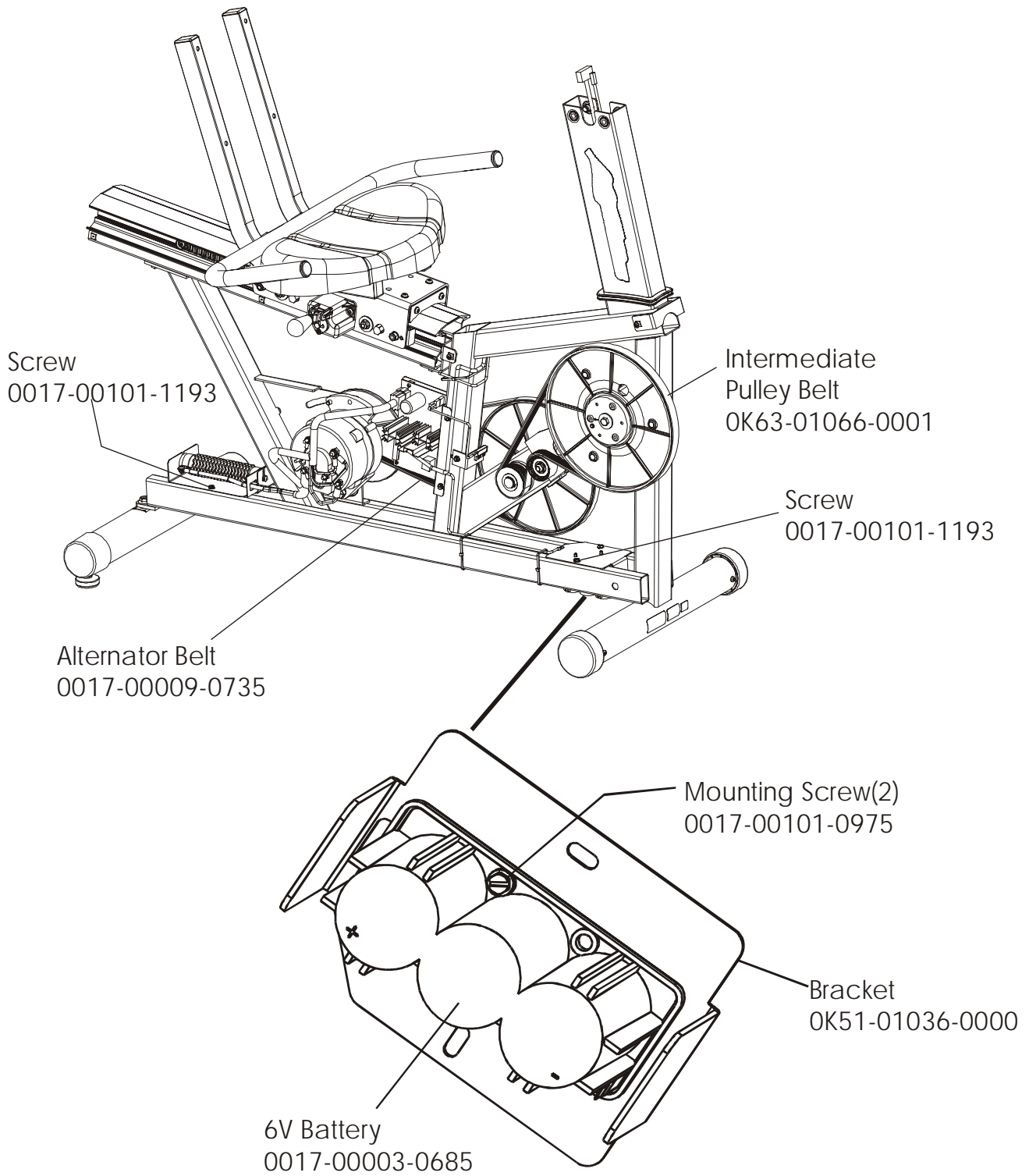
ARCTIC SILVER 95RW
Shrouds, End cap and Pedals

95RW-0XXX-02
S/N CCW100000 and UP



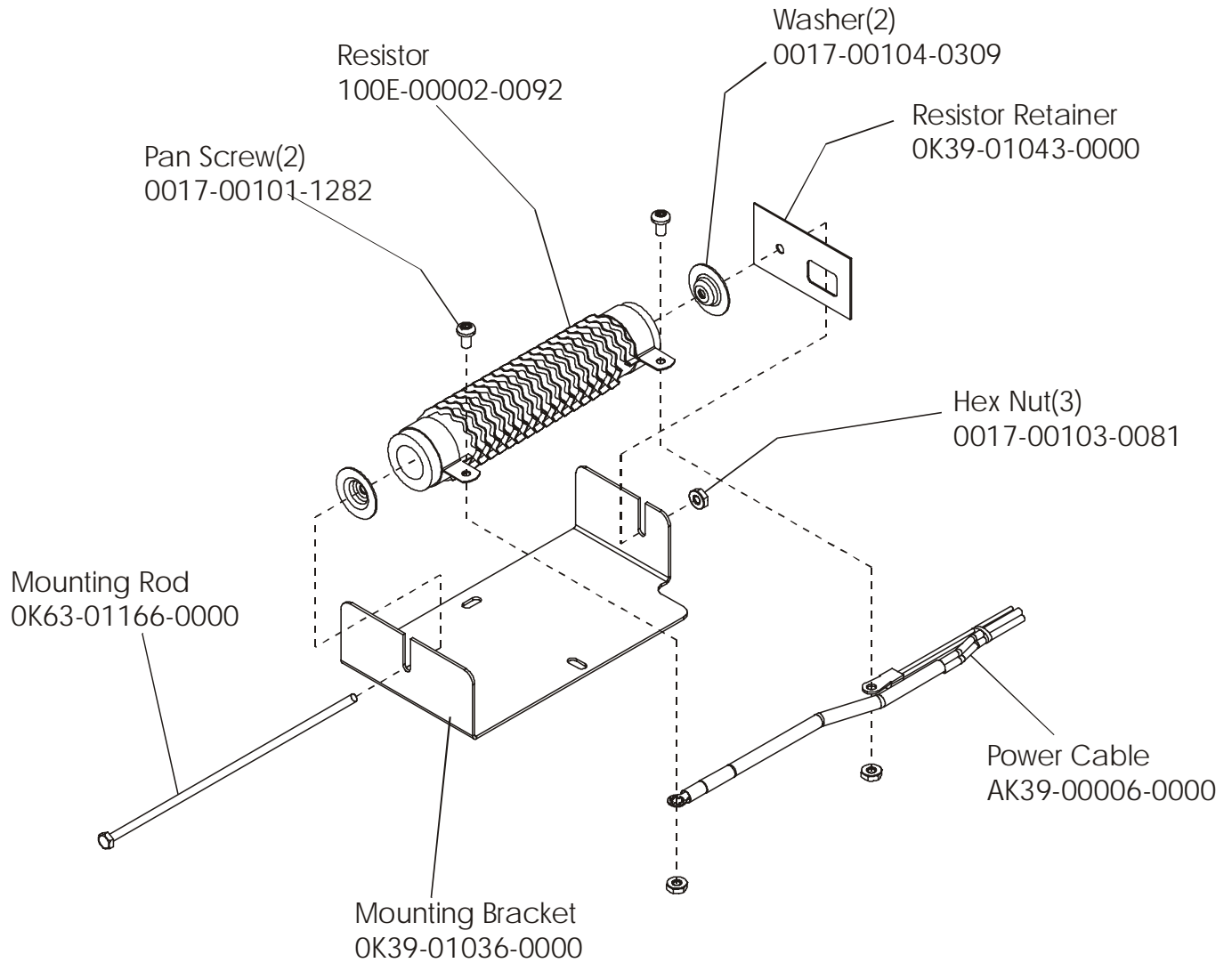
ARCTIC SILVER 95RW
Belts and 6V Battery

95RW-0XXX-02
S/N CCW100000 and UP



ARCTIC SILVER 95RW
Resistor Assembly – AK39-00020-0001

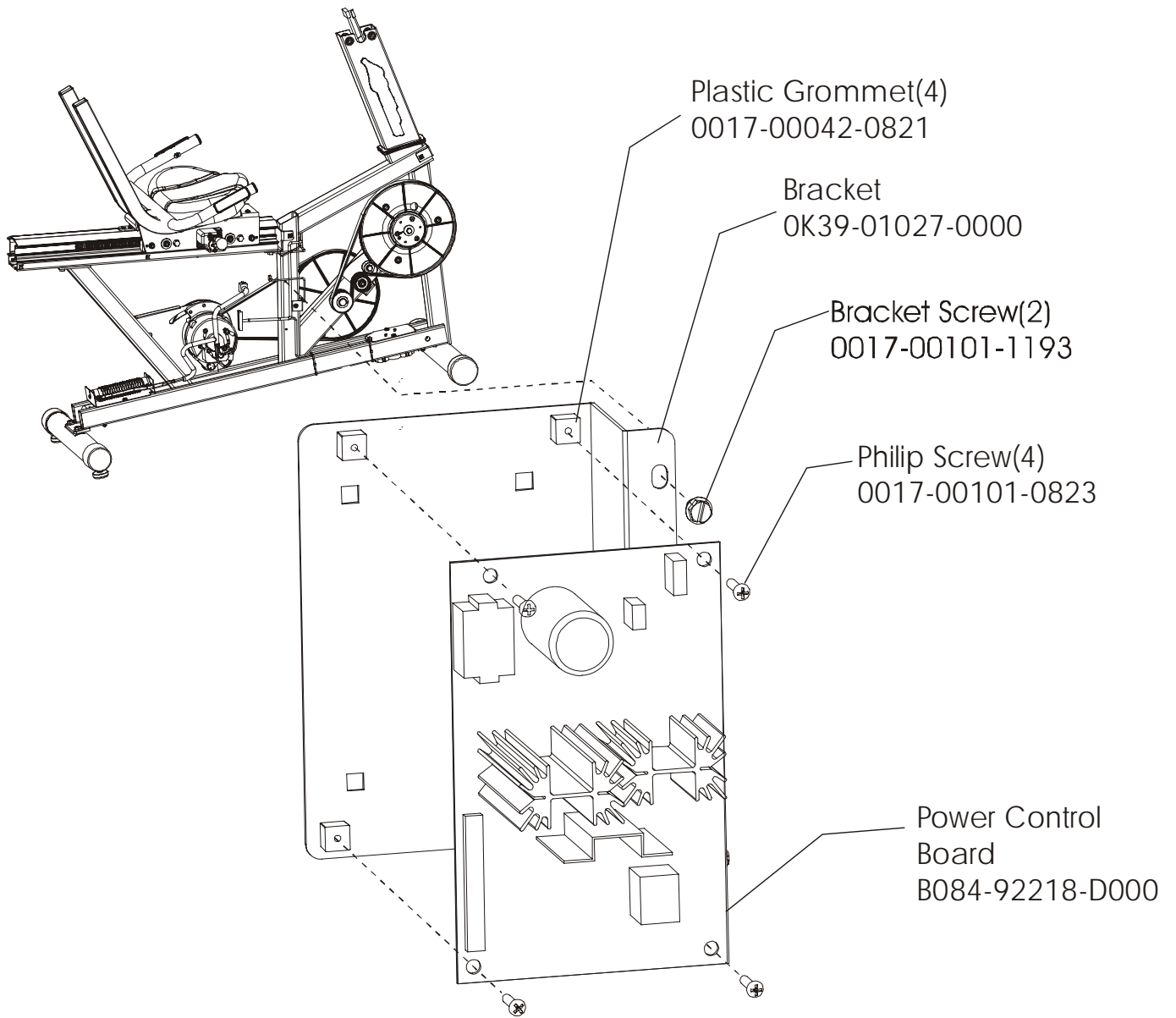
95RW-0XXX-02
S/N CCW100000 and UP



ARCTIC SILVER 95RW
Power Control Board

95RW-0XXX-02
S/N CCW100000 and UP

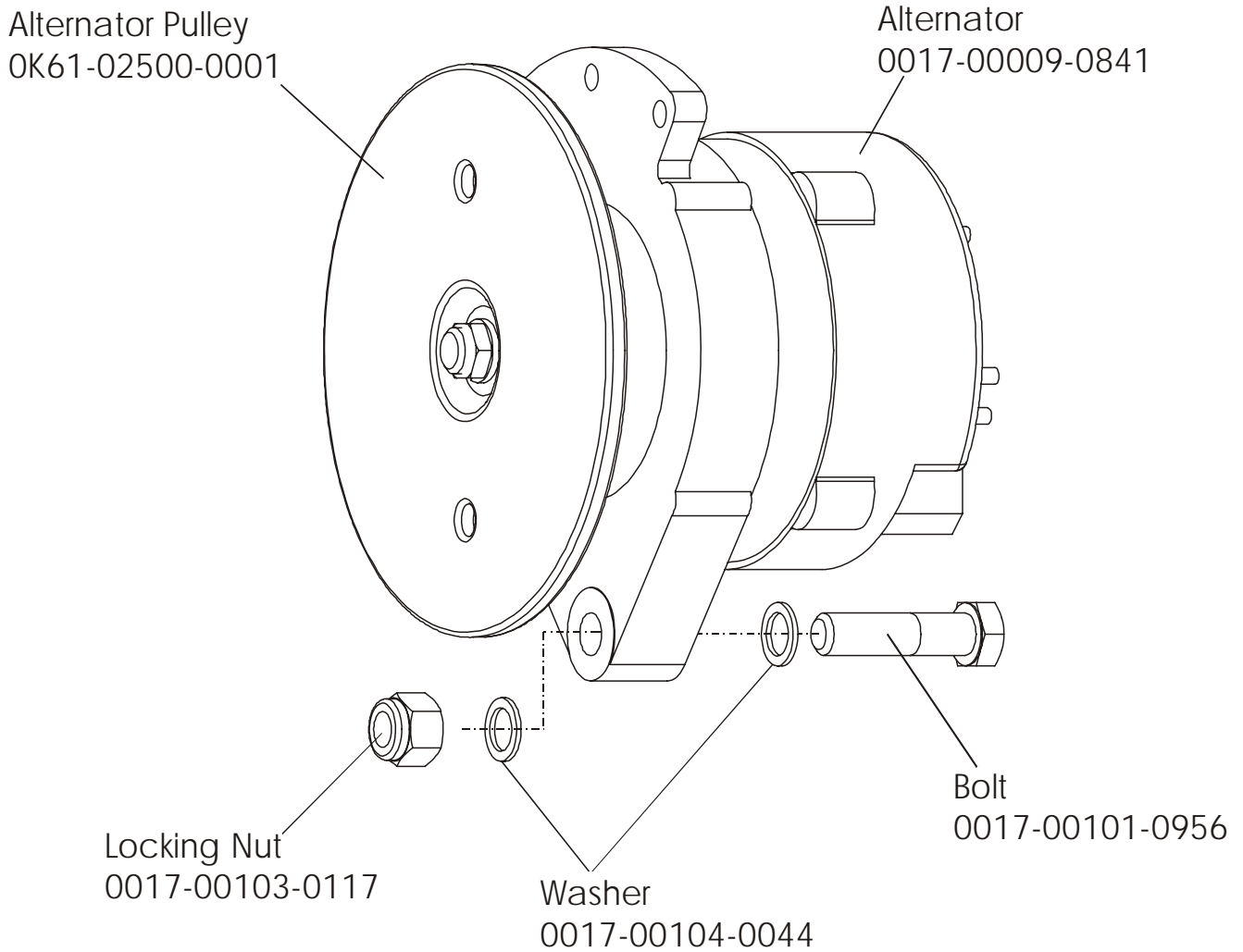
Assembly Number - AK39-00022-0001



ARCTIC SILVER 95RW
Alternator w/pulley Assembly

95RW-0XXX-02
S/N CCW100000 and UP

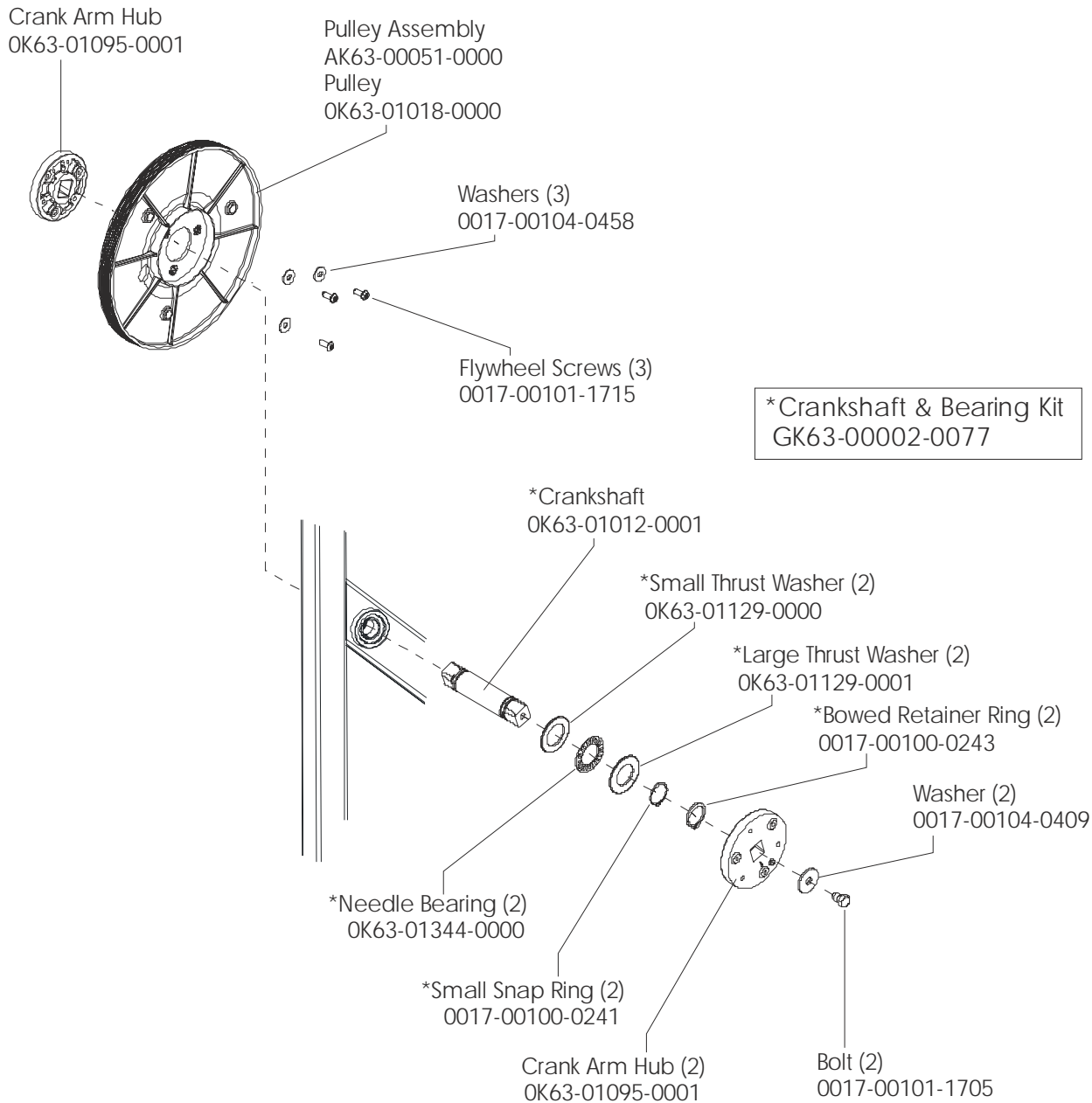
Assembly Number – AK63-00093-0000



ARCTIC SILVER 95RW

Crank Shaft and Bearing Assembly

95RW-0XXX-02
S/N CCW100000 and UP



ARCTIC SILVER 95RW

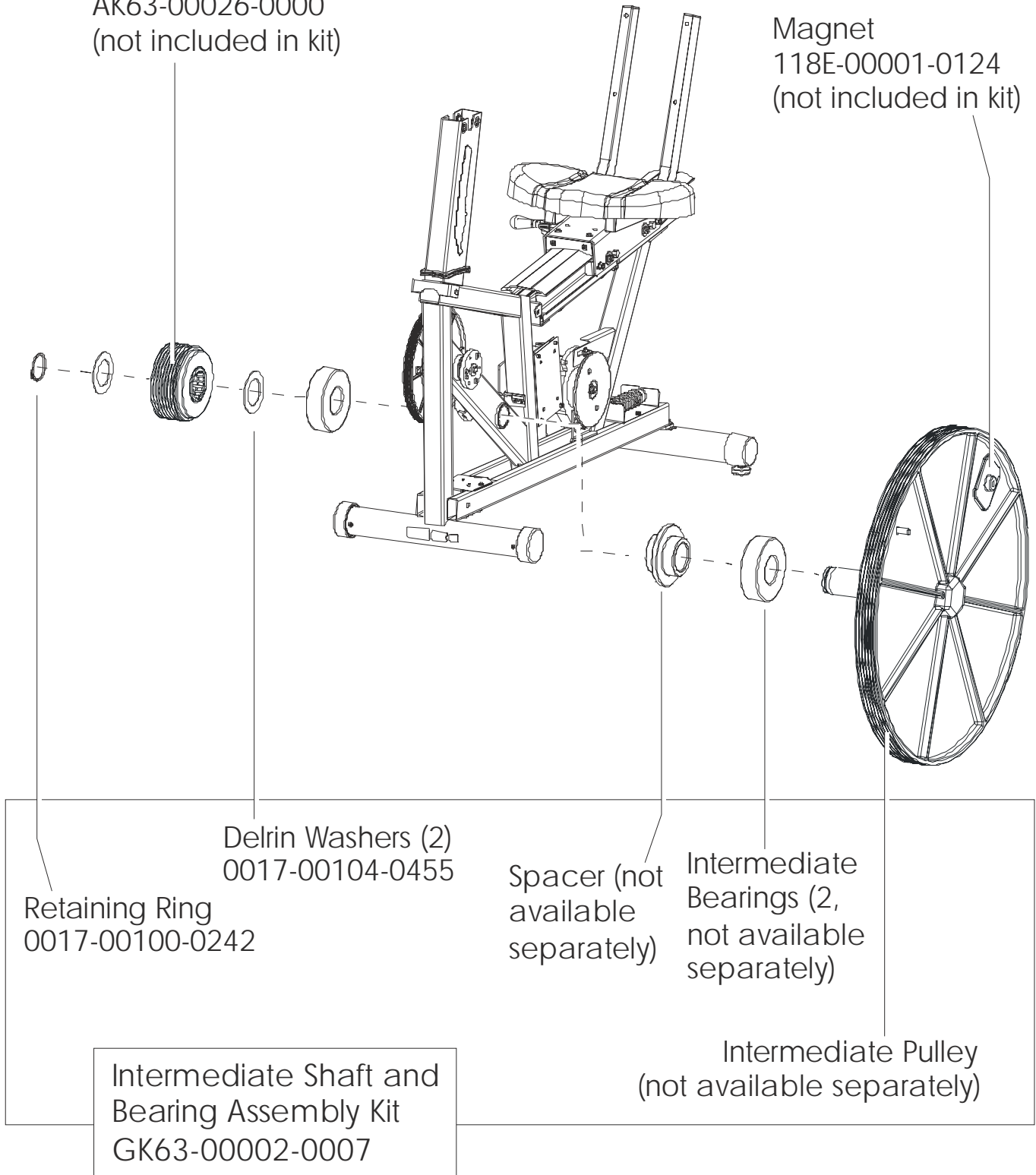
Intermediate Shaft and Bearing Assembly

95RW-0XXX-02

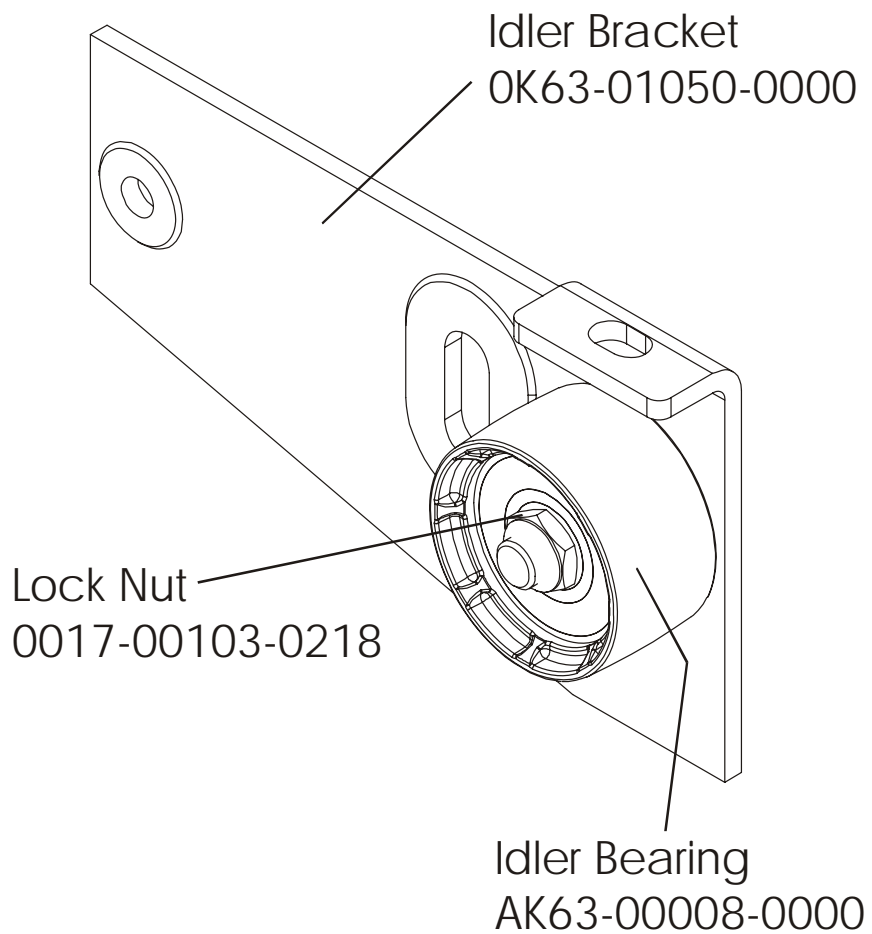
S/N CCW100000 and UP

Clutch Assembly
AK63-00026-0000
(not included in kit)

Magnet
118E-00001-0124
(not included in kit)

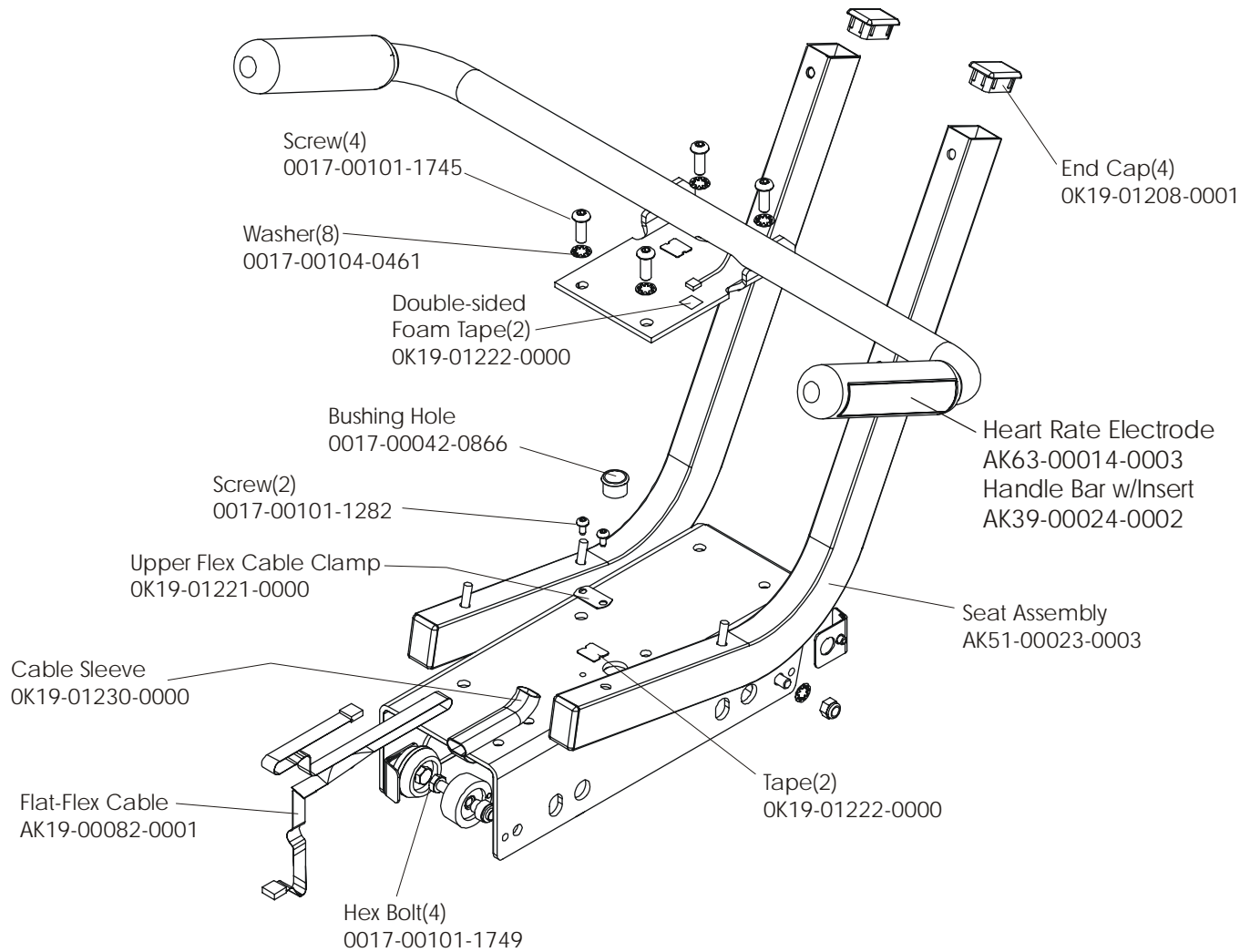


Idler Bracket Assembly – AK63-00021-0000



ARCTIC SILVER 95RW
Seat Assembly

95RW-0XXX-02
S/N CCW10000 and UP

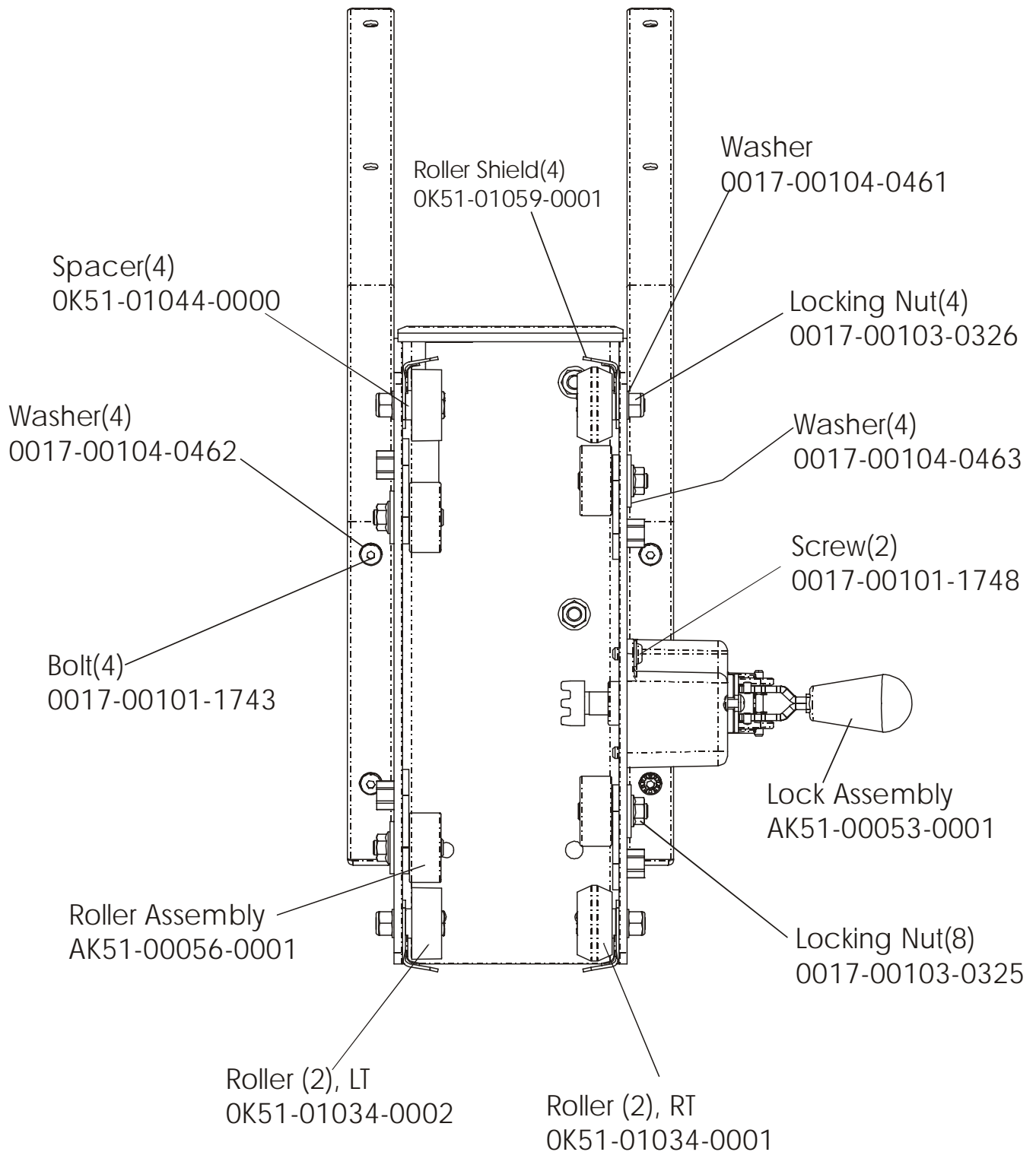


ARCTIC SILVER 95RW

Seat Assembly - Bottom

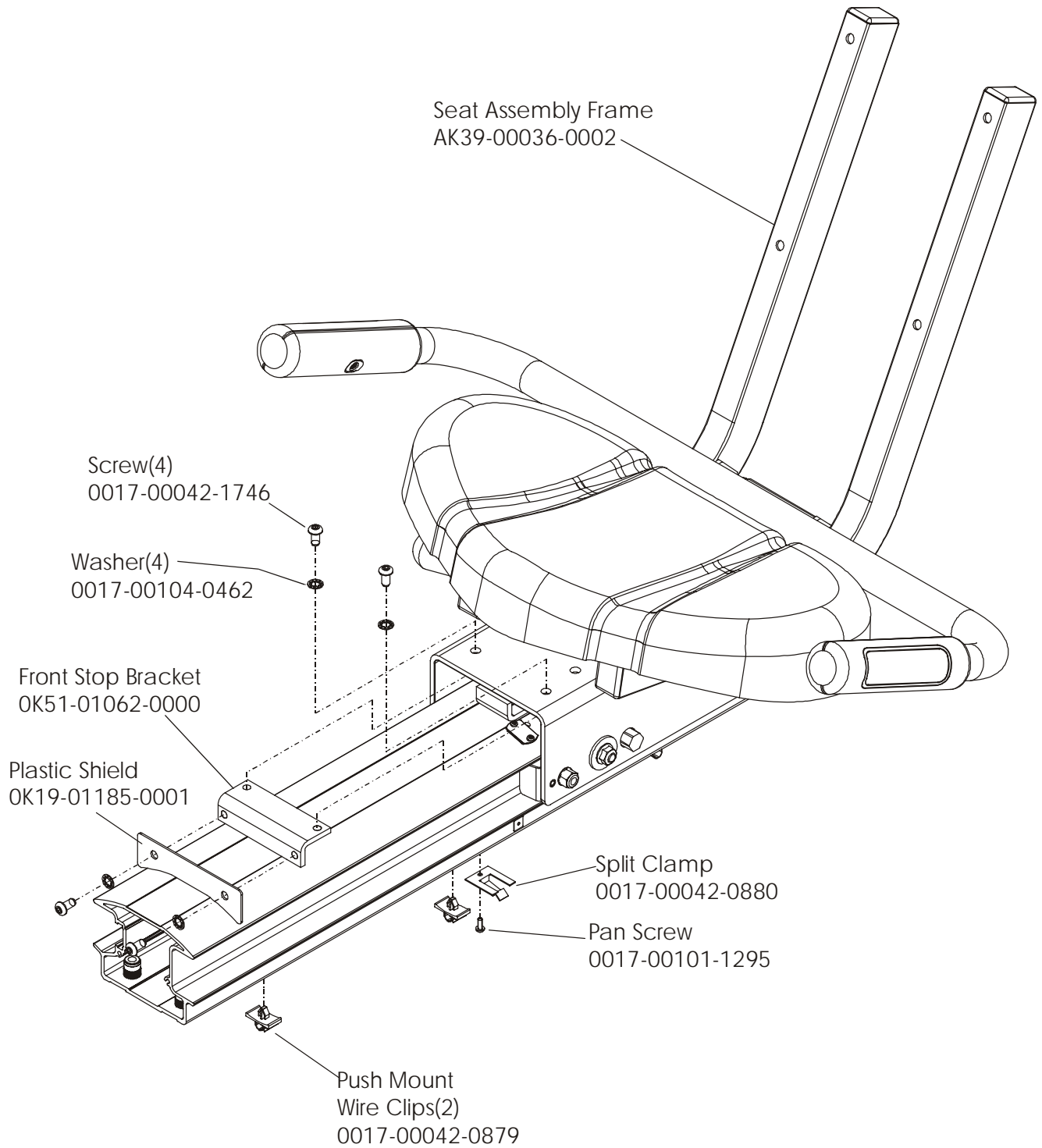
95RW-0XXX-02

S/N CCW10000 and UP



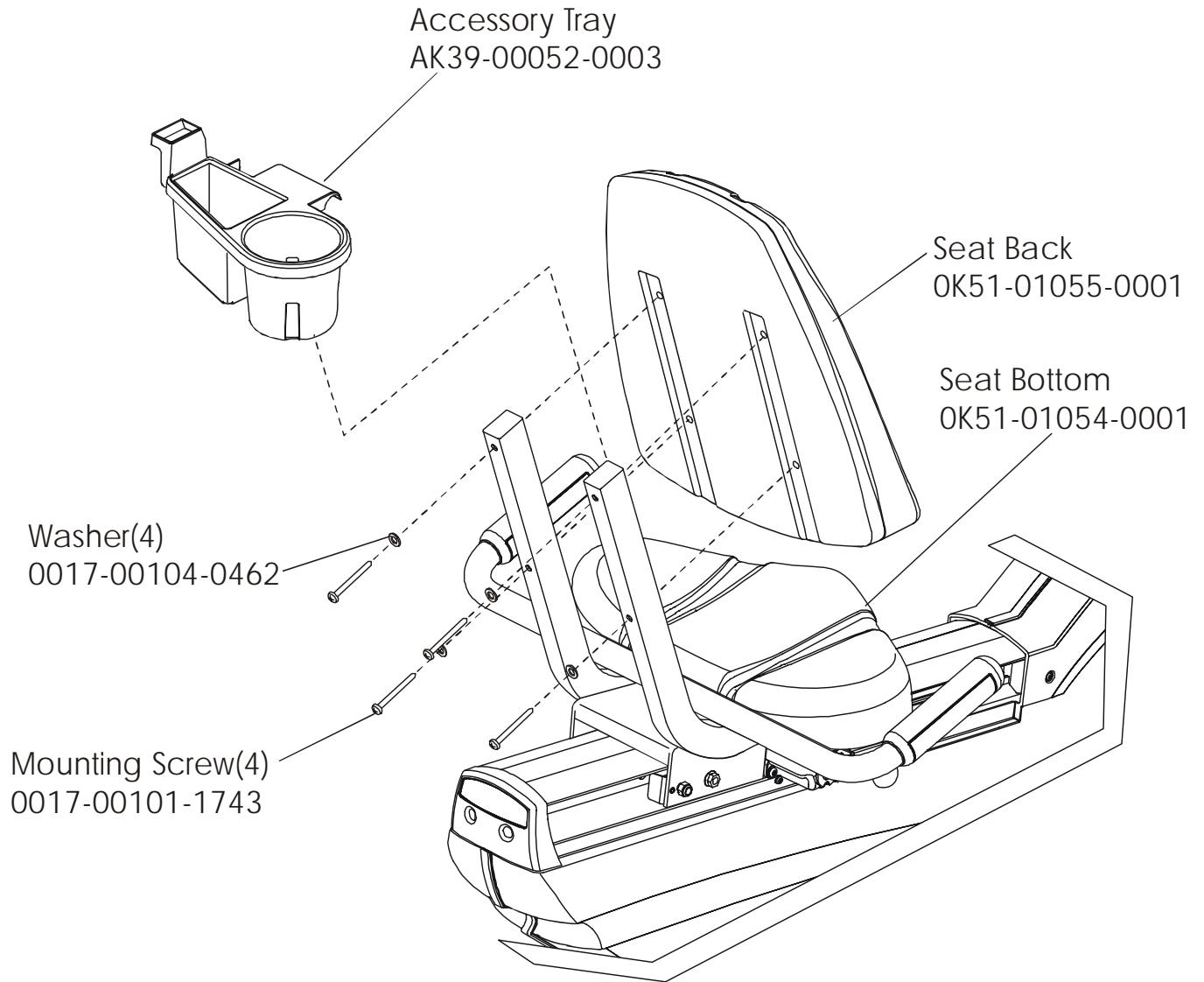
ARCTIC SILVER 95RW
Seat Frame Assembly

95RW-0XXX-02
S/N CCW100000 and UP



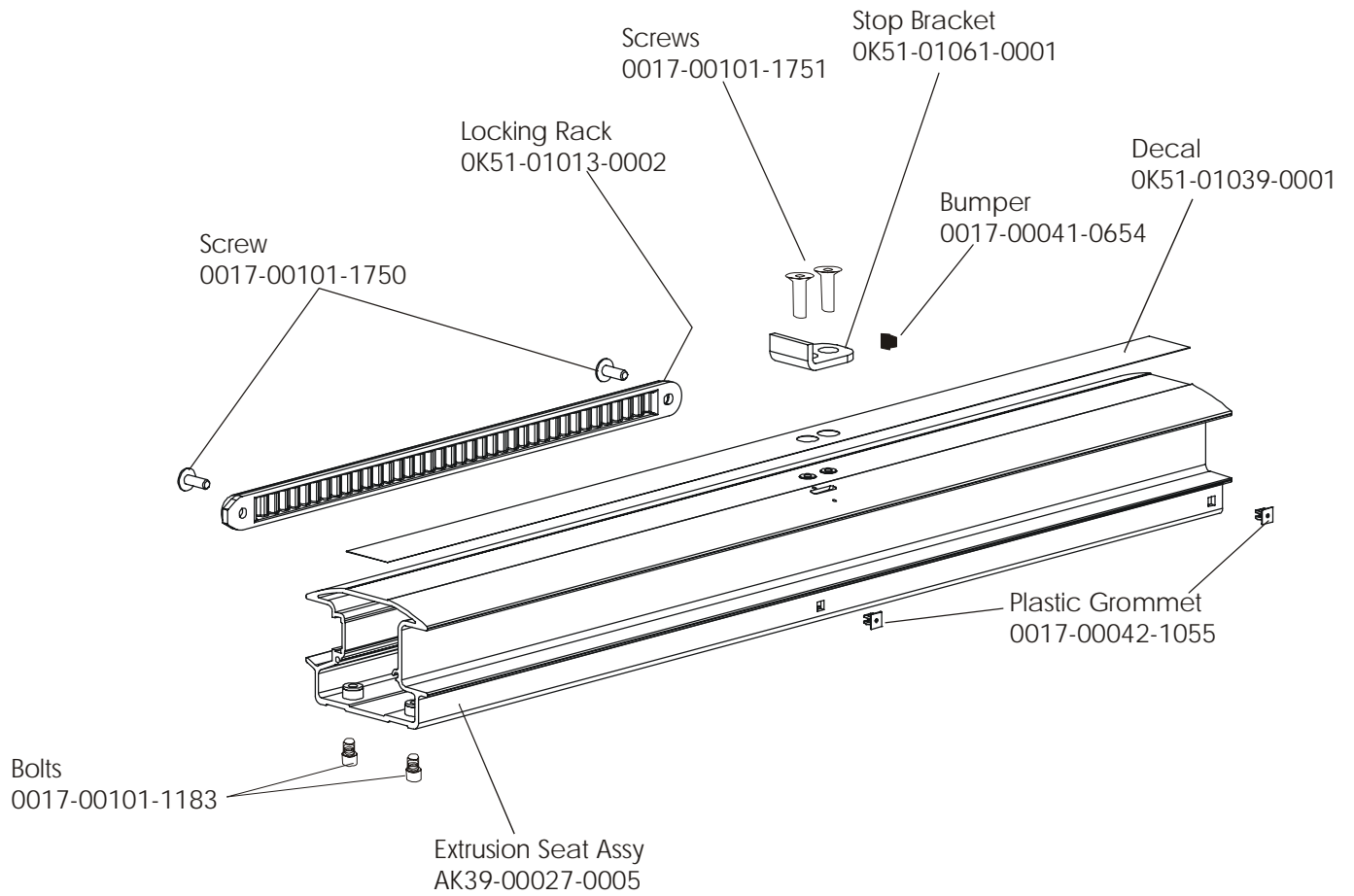
ARCTIC SILVER 95RW
Seat Pads and Accessory Tray

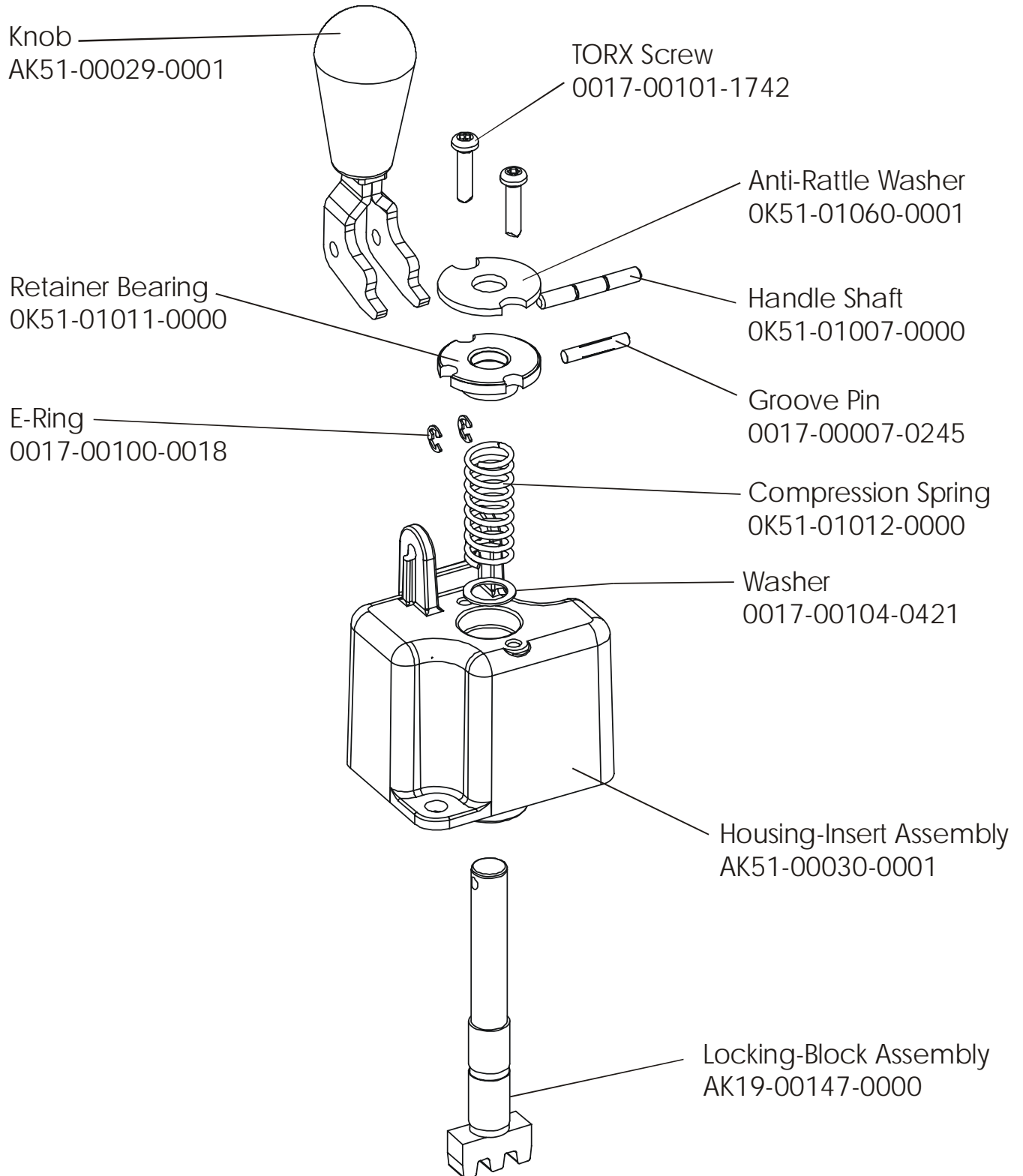
95RW-0XXX-02
S/N CCW100000 and UP



ARCTIC SILVER 95RW
Extrusion Assy. – AK39-00027-0005

95RW-0XXX-02
S/N CCW100000 and UP





ARCTIC SILVER 95RW
Wheel and Leveler

95RW-0XXX-02
S/N CCW100000 and UP

